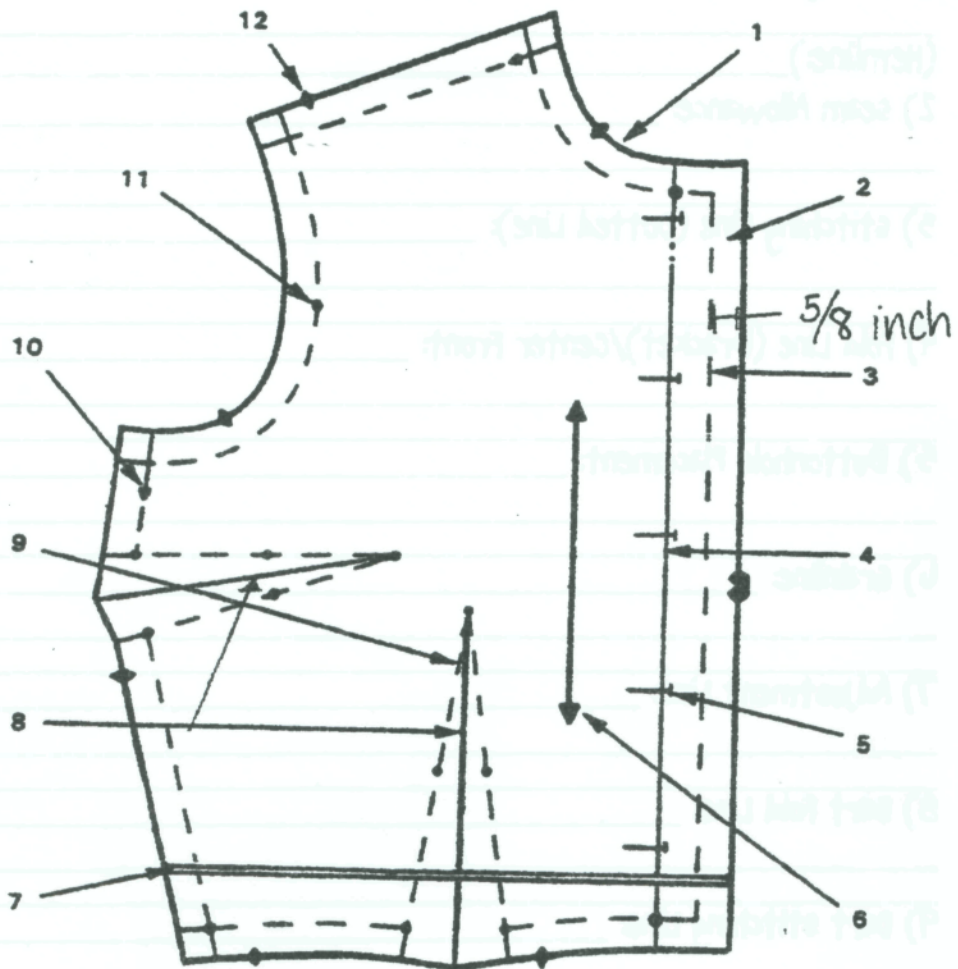


Pattern Markings



1. Cutting Line

2. Seam allowance

3. Stitching Line

4. Center Front

5. Buttonhole Placement

6. Grain line

7. Adjustment Lines

8. Fold line for dart

9. Dart stitching line

10. Directions for stitching

11. Dot

12. Notch

Pattern Markings Notes:

1) Cutting Line: _____

(Hemline:) _____

2) seam Allowance: _____

3) stitching Line (Dotted Line): _____

4) Fold Line (Bracket)/center Front: _____

5) Buttonhole Placement: _____

6) Grainline: _____

7) Adjustment Line: _____

8) Dart Fold Line: _____

9) Dart stitching Line: _____

10) Direction for stitching: _____

11) Dot/square: _____

12) Notch (single/Double): _____

→ Pattern piece name/number or letter

→ size (Multi-sized)

→ Number of pieces to cut (Fewer pattern pieces=easier pattern)