

Apparel and Textile Production I
Sample #11

Name:
Date:

Layout Sample

Supplies:

- Sample fabric
- Paper scissors
- Shears
- Pattern Pieces 8C-8K
- Pins

This activity is made up of two problems. For each problem, cut out the specified pattern pieces found below. Also, cut a piece of your sample fabric the size of the dimensions given for each garment. Using the layout diagram, fold your fabric and place the pattern pieces on the fabric. Be sure to measure your grain lines. Pin your pattern pieces in place. (You do not have to cut them out individually with fabric.)

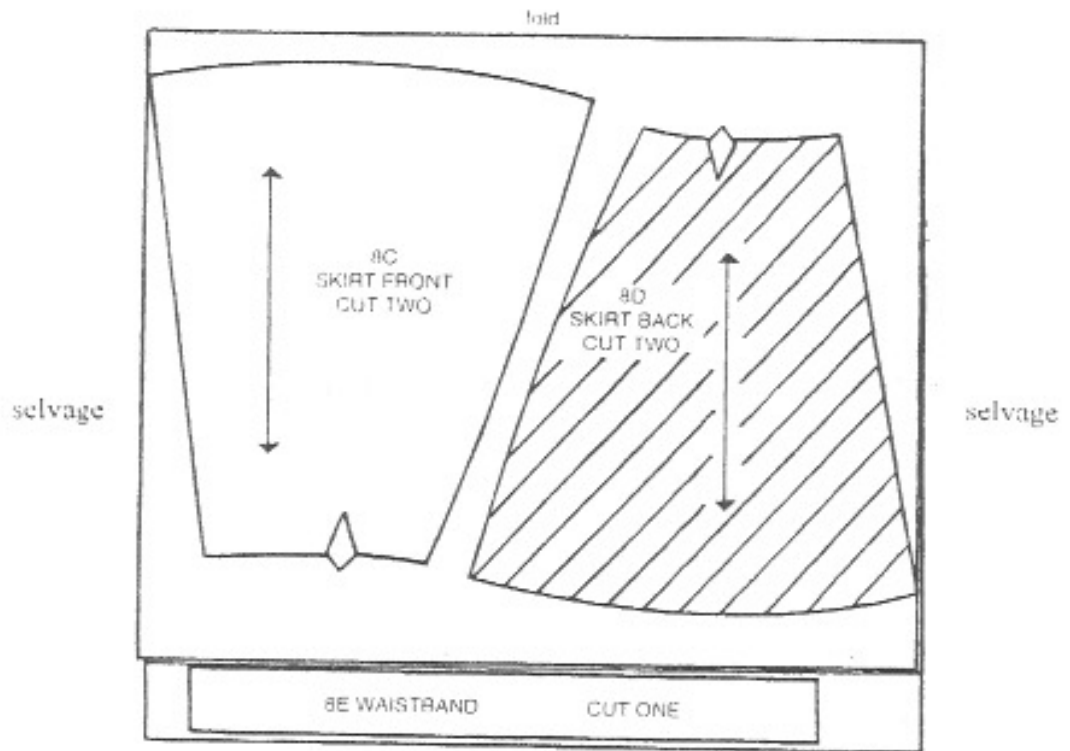
Garment 1- Skirt

- Use pattern pieces 8C, 8D, and 8E.
- Cut a piece of fabric 7 ½ by 11-inches. Consider the lengthwise grain (selvage) to run parallel to the 11-inch side.

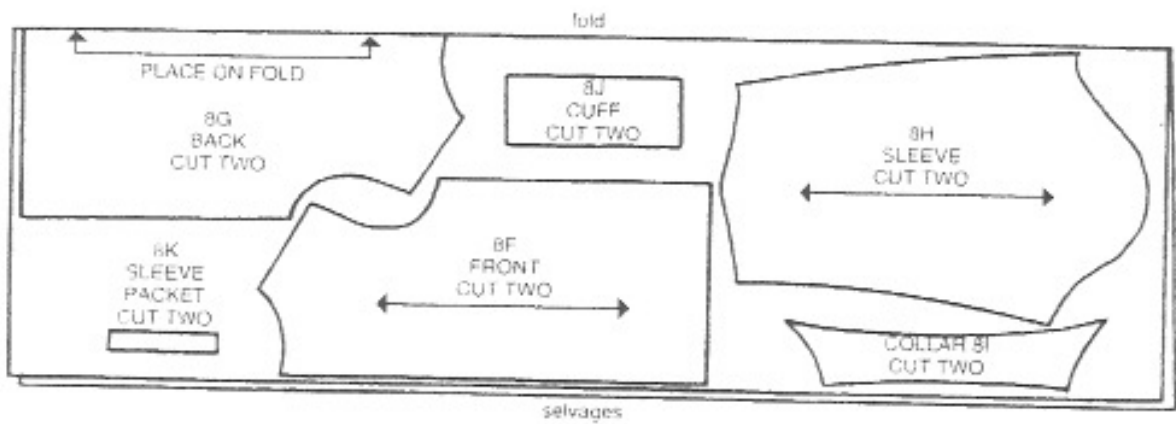
Garment 2-Shirt

- Use pattern pieces 8F, 8G, 8H, 8I, 8J, and 8K.
- Cut a piece of fabric 8 ½ by 11 ½ -inches.
- Consider the lengthwise grain (selvage) to run parallel to the 11-inch side.

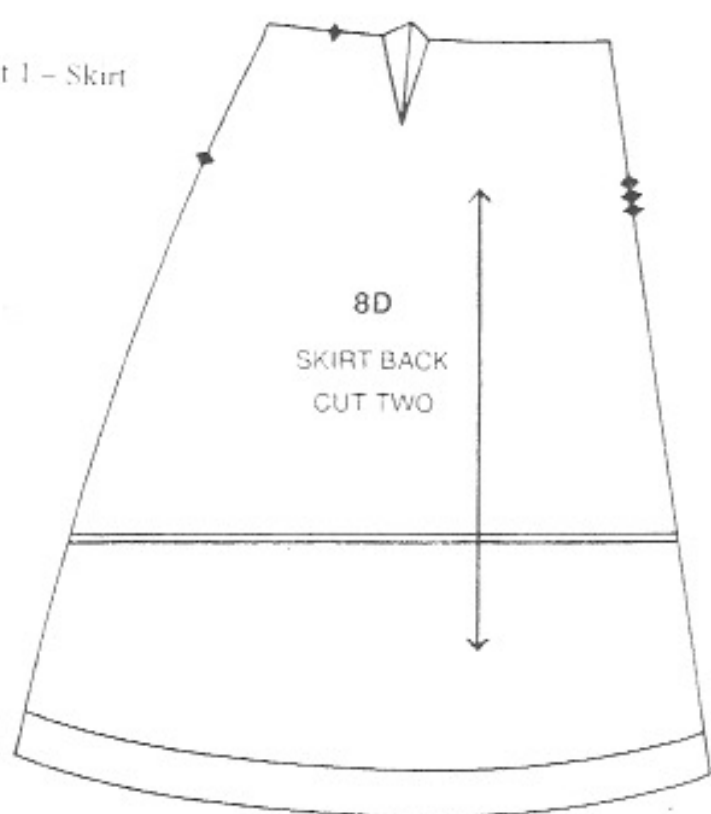
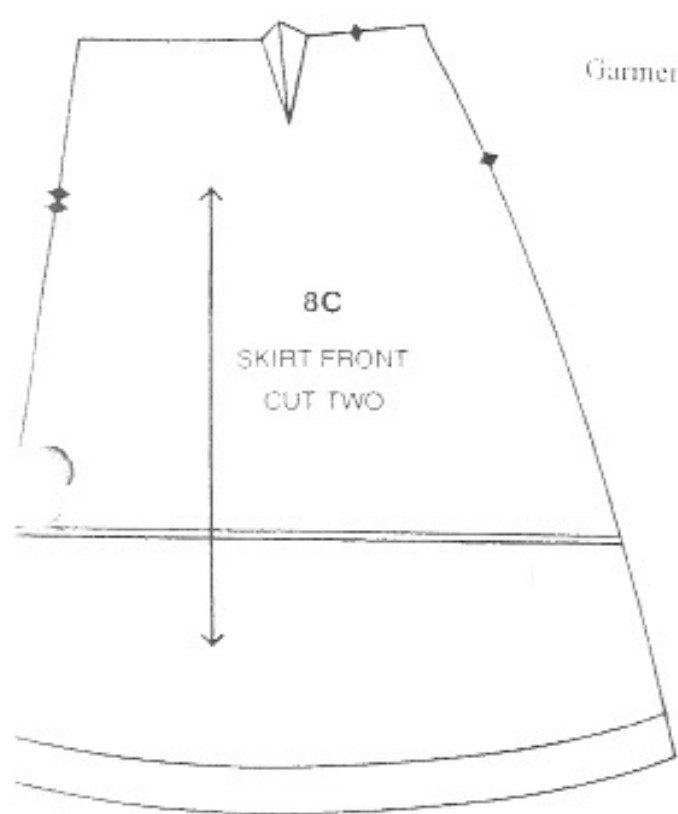
Garment 1
Skirt



Garment 2
Shirt



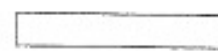
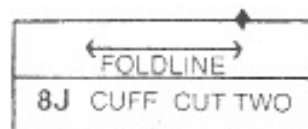
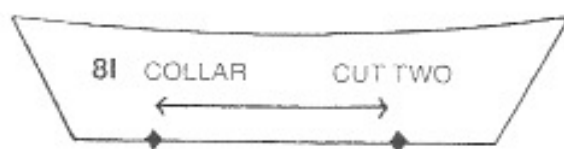
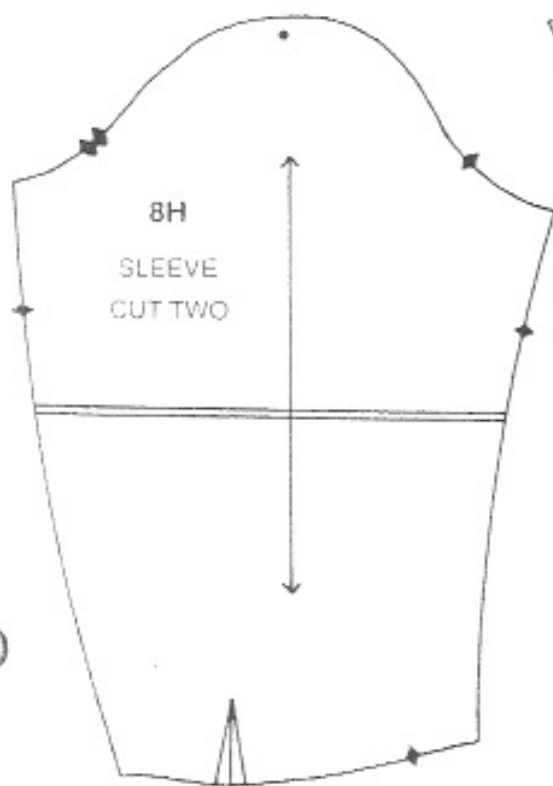
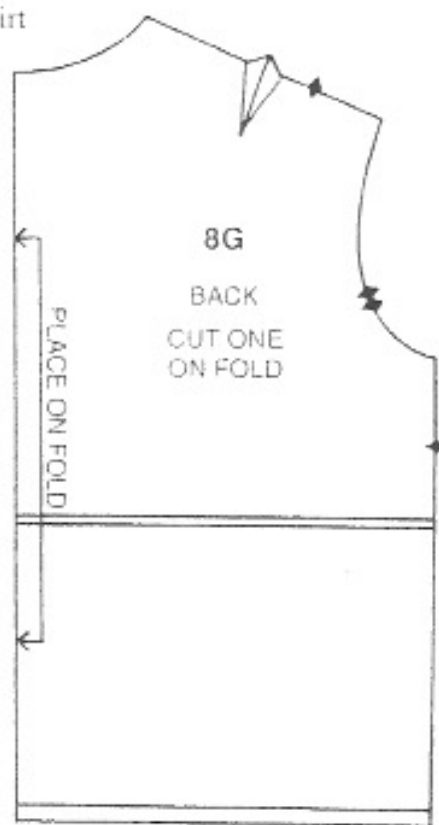
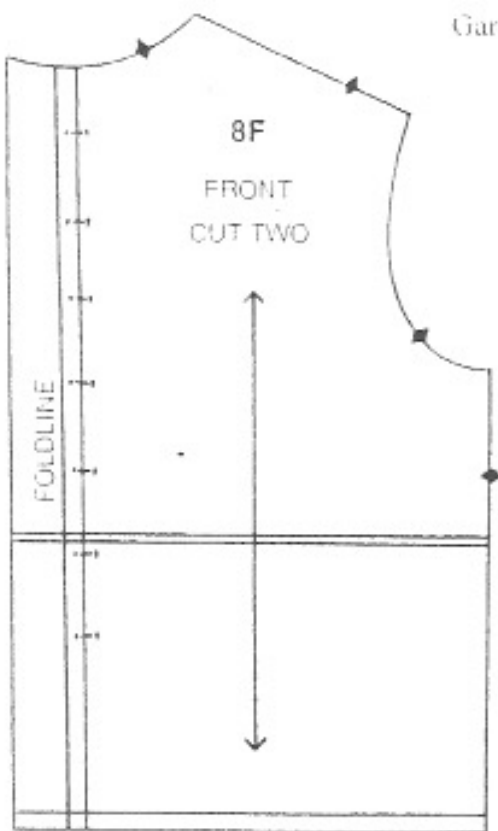
Garment 1 - Skirt



(Continued)

pattern pieces for Activity 8-1

Garment 2 - Shirt



8K
SLEEVE PLACKET
CUT TWO